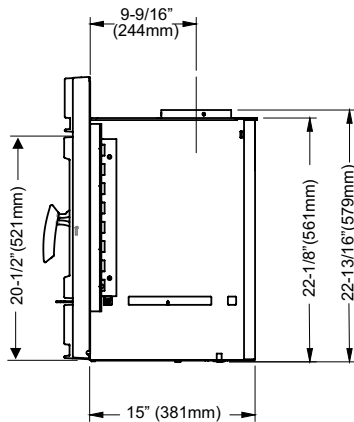
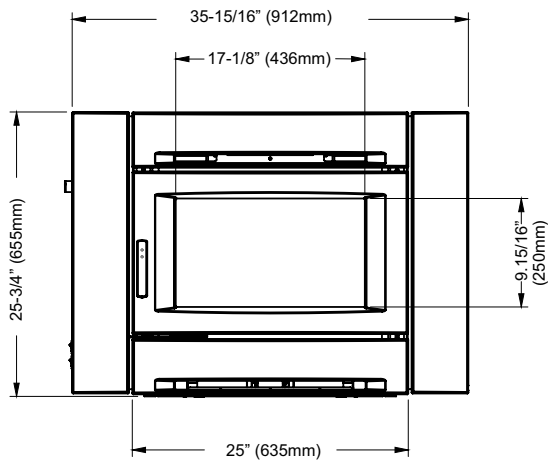
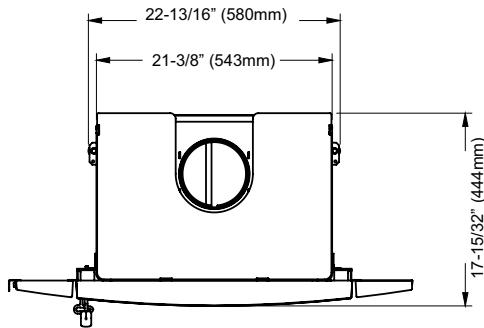
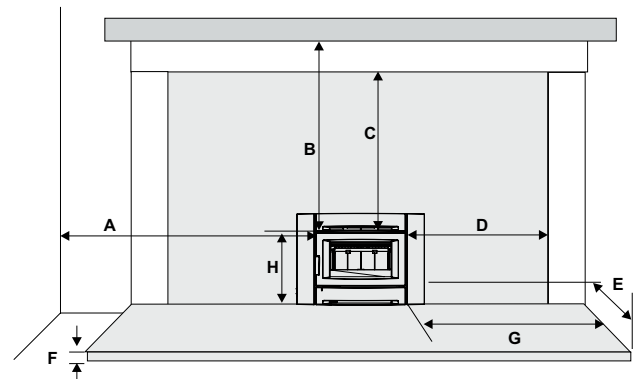


CI1250 Cast Wood Insert

Model	CI1250
Cordwood BTU's	55,000 BTU's
Emissions (grams/hr) EPA Certified	3.0 grams/hr
Flue Size	6" (152mm)



Minimum Fireplace Opening	
Height	23" (584mm)
Width	25" (635mm)
Depth: (w/ standard flue adaptor)	15-1/16" (383mm)
Depth: (w/ offset flue adaptor)	17-11/16" (449mm)



Dimension	Description	CI1250
A	Adjacent Side Wall (to side)	15" (381mm)
B	Mantle (to top)**	20" (508mm)
C	Top Facing (to top)	14" (356mm)
D	Side Facing (to side)	7-3/8" (187mm)
E	Minimum Hearth Extension*	18" (457mm) CAN 16" (406mm) US
F	Minimum Heath Thickness*	1-1/2" (38mm)
G	Minimum Hearth Side Extension	8" (203mm)
H	To Top of Door	20-1/2" (516mm)

Side and Top facing is a maximum of 1.5" thick.
Floor protection must non-combustible, insulating material with an R value of 1.1 or greater.

* If the hearth extension is flush with the floor (F) it must extend 19.5" in front of the body face (E).

Note: Hearth Extension Width (G) is measured from edge of fuel door to side of hearth.

** A non-combustible mantel may be installed at a lower height if the framing is made of metal studs covered with a non-combustible board.