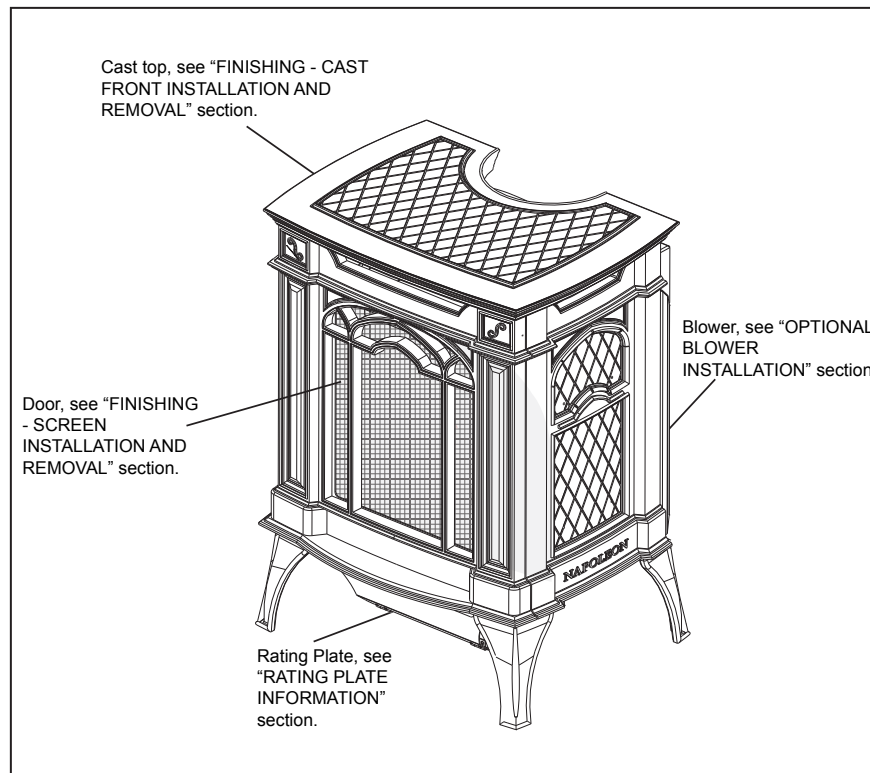


# ARLINGTON™ VF VENT FREE GAS STOVE

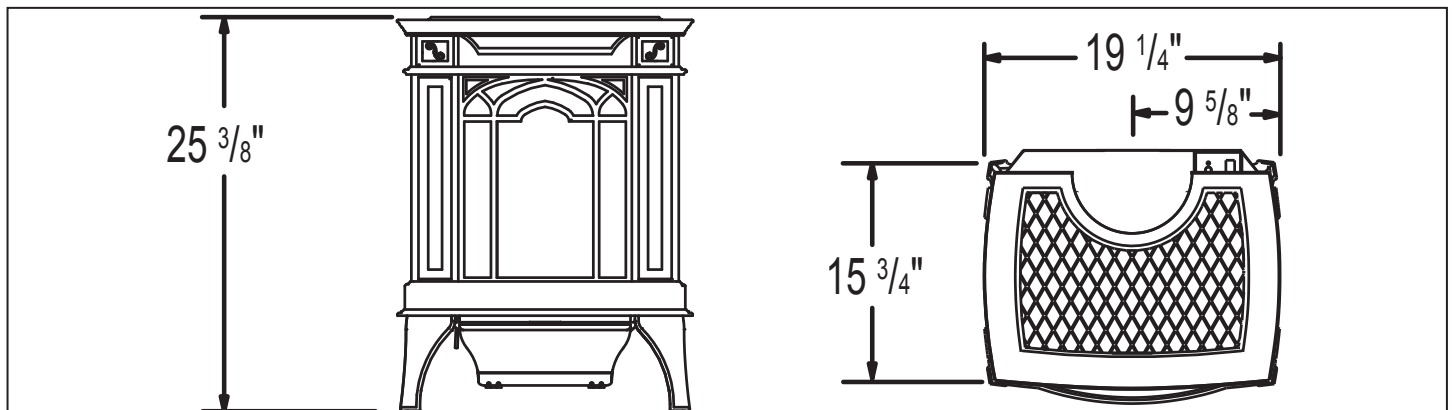
## Specifications

Model	BTU (NG)	BTU (LP)	Width	Height	Depth
GVFS20	23,000	23,000	19 1/4	25 3/8	15 3/4

## Overview



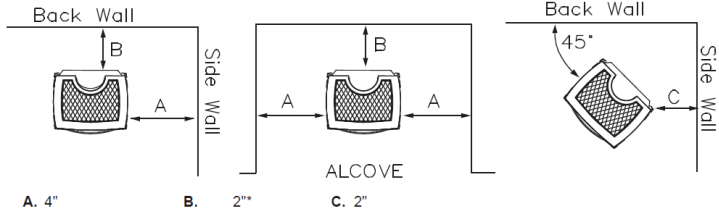
## Dimensions



# ARLINGTON™ VF VENT FREE GAS STOVE

## Clearances

### Minimum Clearance To Combustibles



A. 4"      B. 2"      C. 2"

Heater should not be installed directly on carpeting.

Minimum 48" from top to ceiling.

\* If less than 5" clearance is maintained between the back of the heater and the back wall, it will be necessary to disconnect the gas pipe to move the heater out for installation or service of the blower.

### Determining Confined or Unconfined Space

To determine the volume of the room where the appliance is to be installed, multiply the width x the length x the ceiling height of that room measured in feet. If any adjoining rooms are connected by grilles or openings such as kitchen pass-throughs, etc., the volume of those rooms may be added to the total.

Multiply the room volume by 1000 and divide this amount by 50 to determine the maximum BTU/hr that the space can support with adequate combustion and ventilation air.

Add the Btu/hr of all fuel burning appliances located within the space such as gas furnace, gas water appliance, etc. Do not include direct vent gas appliances which draw their input and output air from and to the outdoors.

#### ⚠ WARNING

IF THE AREA IN WHICH THE APPLIANCE MAY BE OPERATED IS SMALLER THAN THAT DEFINED AS AN UNCONFINED SPACE OR IF THE BUILDING IS OF UNUSUALLY TIGHT CONSTRUCTION, PROVIDE ADEQUATE COMBUSTION AND VENTILATION AIR BY ONE OF THE METHODS DESCRIBED IN THE NATIONAL FUEL GAS CODE ANSI Z223.1 / NFPA 54, AIR FOR COMBUSTION AND VENTILATION, OR THE APPLICABLE LOCAL CODE.

IF THE AREA IN WHICH THE APPLIANCE MAY BE OPERATED DOES NOT MEET THE REQUIRED VOLUME FOR INDOOR COMBUSTION AIR, COMBUSTION AND VENTILATION AIR SHALL BE PROVIDED BY ONE OF THE METHODS DESCRIBED IN THE ANSI Z223.1 / NFPA 54, THE INTERNATIONAL FUEL GAS CODE, OR APPLICABLE LOCAL CODES.

Unusually tight construction is defined as construction where:

- A) Walls and ceilings exposed to the outside atmosphere have a continuous water vapour retarder with a rating of 1 perm (5 x 10<sup>-11</sup> kg per pa-sec-m<sup>2</sup>) or less with openings gasketed or sealed, and
- B) Weather stripping has been added on openable windows and doors, and
- C) Caulking or sealants are applied to areas such as joints around window and door frames, between sole plates and floors, between wall-ceiling joints, between wall panels, at penetrations for plumbing, electrical, and gas lines, and at other openings.

An unvented room appliance is recommended for use as a secondary heat source rather than as a primary source. Gas combustion produces water vapour which could occur at the rate of approximately one ounce of water for every 1,000 BTU/hr of gas input. During the cold weather season, indoor humidity levels tend to be low. Consequently, this water vapour can enhance the living space. However if a problem should occur:

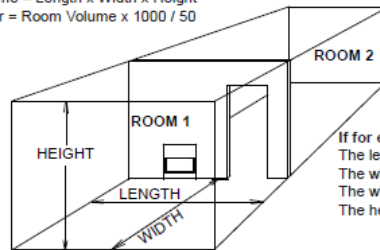
- A) Ensure sufficient combustion and circulation air
- B) Use a dehumidifier
- C) Do not use the unvented room appliance as a primary heat source

Without sufficient fresh air for proper operation, poor fuel combustion can result. Carbon Monoxide is a result of poor combustion.

If additional fresh air is required, use one of the methods described in the National Fuel Gas Code, ANSI Z223.1 / NFPA54 or the applicable local code.

$$\text{Room Volume} = \text{Length} \times \text{Width} \times \text{Height}$$

$$\text{Max BTU/hr} = \text{Room Volume} \times 1000 / 50$$



If for example:  
 The length of the rooms is 10 feet,  
 The width of Room 1 is 10 feet,  
 The width of Room 2 is 15 feet,  
 The height of the rooms is 8 feet.

The volume of Room 1: 10x10x8 = 800 cubic feet  
 The volume of Room 2: 10x15x8 = 1200 cubic feet

Product information provided is not complete and is subject to change without notice. Please consult the installation manual for the most up to date installation information.